

Art. 8678 Wax Melter SH-800

Date last modified: 5-8-2022, Changes reserved for printing- and typing errors.

Product image



Product information

The WaxMelter is a melting tank with direct heating. The product that has to be heated is heated directly from the bottom by the heating element placed below. At a later stage, the side wall heating can also be switched on to obtain a greater capacity. The melting tank is made of steel and is placed in a frame, which is insulated all around with rockwool insulation and is covered on the outside with galvanized sheet material. The tank is equipped with a heated faucet that can be switched on and off before and after use. The temperature control is digital (0-120°C) and displays the current temperature. The content of the tank is approximately 800 litres. The tank is built for continuous use.

Installation

1. Always place the tank on a stable surface.
2. Make sure the faucet is closed (lever to the left).
3. Make sure that the tank is within range of an earthed 230 Volt socket.
4. The melting tank is ready for commissioning.

Use of appliance

1. First determine the amount of paraffin that you want to process, so that the tank is empty again when the appliance is switched off. It is no problem

to have a ground cover with a thickness of approx. 5 cm to start up again next time.

2. Fill the melting tank with a layer of paraffin granules so that the bottom is completely covered with approximately 5 cm of paraffin granules. This gives the best and fastest melting time
3. Switch on the melting tank by inserting the plug into the socket.
4. Switch on the thermostat by pressing the "set button" and the arrows ▲ ▼ and set to a maximum temperature of 70°C. Let the ground cover melt completely.
5. Fill the tank with the amount of paraffin that has to be processed when the bottom filling has completely melted.
6. Switch the thermostat back on to the desired melting temperature. If the paraffin has melted to a large extent against the side walls, the side heating can also be switched on to increase the heating capacity.
7. When the content of the melting tank has completely melted, the desired working temperature can be set.
8. After this, the melted paraffin is ready for processing
9. Switch off the tank early and remove the plug from the socket when completely draining the tank. Prevent overheating.

Note!

Never use forced heating (direct thermostat at 90°C). The melting of paraffin takes time. Forced heating can cause irreparable damage to the tank and can also affect the quality of the paraffin. Always switch off the melting tank after use. Also remove the plug from the socket. This prevents anything from going wrong at all times. Never use the melting tank for improper use. This is to prevent damage and increase the lifespan. Improper use also

invalidates the warranty.

Cleaning

1. Switch off the appliance and remove the plug from the socket.
2. Drain the tank as empty as possible by tilting it slightly forward, so that the remainder of the liquid paraffin also runs out.
3. Take a large piece of cleaning paper and wipe the inside of the tank well until all paraffin residue has been removed. NB! The tank may still be hot.
4. The tank is ready for use again and can be filled as described under 'commissioning'.

Specifications

Volume	800Liter
Height	1180mm
Depth	920mm
Diameter	1020mm
Wattage	2460Watt
Voltage	230Volt
Thermostat setting	0-120°C
Maximum thermostat	✓

Warranty

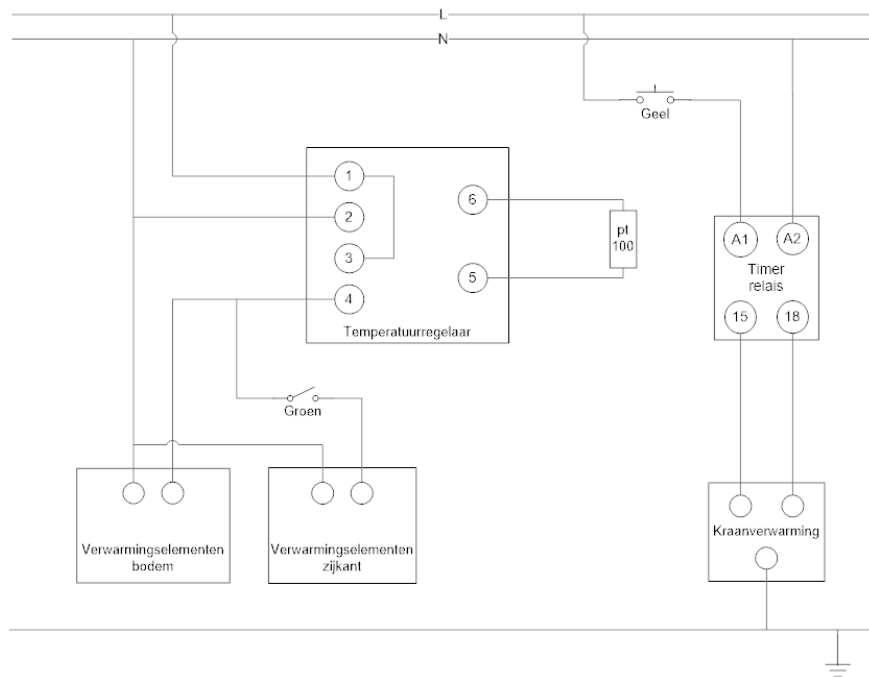
The melting tank comes with a two-year warranty against material and construction defects, provided that the device has been used and maintained in accordance with the instructions. Also, the melting chain must not be mishandled or abused in any way. This only applies to parts, not to labor and transport. In the event of malfunctions, please contact your supplier in order to have the malfunction resolved with the original parts.

Warning: as this involves heating a liquid, operation of the melting tank should only be done by qualified personnel.

The device complies with EU directives 73/23 EEC and 89/336 EEC, all technical changes reserved.



Electric scheme



Always read the manual before using the device