

Art. 8680 Melting Tank SH-200

Date last modified: 5-8-2022, Changes reserved for printing- and typing errors.

Product image



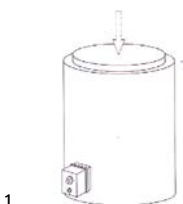
Product information

The melting tank SH-200 is a tank with direct heating. The product that has to be heated is heated directly by the heating element placed below. The tank is insulated all around and equipped with a handy ball faucet. The content of the tank is approx. 200 liters and has a variable temperature setting from 0-120°C via a thermostat. The tank is secured against overheating and is built for continuous use.

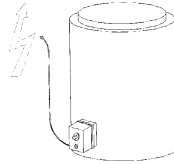
Installation

1. Always place the melting tank on a stable, fireproof surface.
2. Make sure that the ball faucet is closed.
3. Make sure that the tank is within reach of an earthed 230 Volt socket.
4. The melting tank is ready for commissioning.

Use of appliance



1. Fill the melting tank with wax up to approx. 10 cm below the rim.



2. Connect the tank to an earthed socket with a mains voltage of 230 Volt.



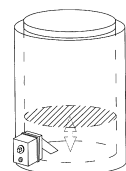
3. The display shows the current temperature (ambient temperature).
4. Set to the desired temperature by pressing and holding the set button and using the arrow buttons (up/down) to regulate the temperature.



5. After releasing the set button, the current temperature is immediately displayed.
6. When the tank is heating, a red light will appear on the top left of the display.



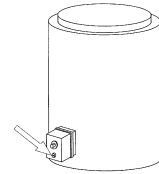
7. When the content of the melting tank has completely melted, the temperature can be regulated manually.



8. Minimum level. Make sure that the tank is

always filled with wax approx. 15 cm from the bottom, otherwise the element will not be able to properly dissipate the heat and it will fall out by means of a overheating security.

9. Switch off the tank early and remove the plug from the socket when completely draining the tank. Prevent overheating.



10. Security. The melting tank is protected against overheating. The power switches off automatically when the temperature rises above approximately 140°C. After cooling, the tank switches on again immediately.
11. Switch off. The tank can be switched off by removing the plug from the socket.

Note!

Never use forced heating (immediately set the thermostat to a high temperature, for example 90° C). This is strongly discouraged. The melting of paraffin takes time. Forced heating can cause irreparable damage to the tank. This can also negatively affect the quality of the paraffin. When colors are added to the paraffin, it should be stirred continuously. Colors will otherwise "settle" on the bottom and then clog. This will eventually damage the heating element. Colored paraffin should therefore be processed immediately.

The tank with (partially) filled and solidified paraffin (wax) must be heated in accordance with point 4 of the procedure 'Commissioning'.

Always read the manual before using the device

The tank is built for continuous use. If the tank is not in use for a short time (for example at night and at the weekend), it is recommended to reduce the temperature to approx. 60° C. This 'storage temperature' also has the least influence on the quality decline of the paraffin. However, if the tank is not to be used for a longer period of time, always switch it off by removing the plug from the socket. This prevents anything from going wrong at all times. Never use the melting tank for improper use. This is to prevent damage and increase the lifespan. Improper use also invalidates the warranty.

Safety

The melting tank is protected against overheating and switches off automatically. After a while (cooling down), the thermostat can be switched on again.

Cleaning

1. Switch off the appliance and remove the plug from the socket.
2. Drain the tank as empty as possible by tilting it slightly forward, so that the remainder of the liquid paraffin also runs out.
3. Take a large piece of cleaning paper and wipe the inside of the tank well until all paraffin residue has been removed. NB! The tank may still be hot.
4. The tank is ready to use again and can be filled as described under 'Commissioning'.

Specifications

Volume	200Liter
Height	900mm
Depth	850mm
Diameter tank	650mm
Wattage	2000Watt
Voltage	230Volt
Thermostat setting	30-120°C
Maximum thermostat	✓
Isolated	✓
Faucet	✓
Lockable lid	✓

Warranty

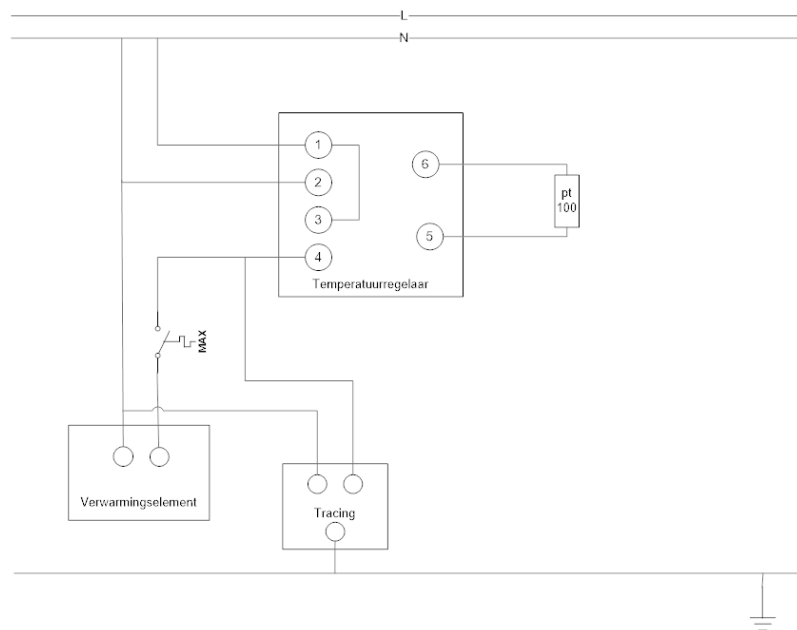
The melting tank comes with a one-year warranty against material and construction defects, provided that the device has been used and maintained in accordance with the instructions. Also, the melting chain must not be mishandled or abused in any way. This only applies to parts, not to labor and transport. In the event of malfunctions, please contact your supplier in order to have the malfunction resolved with the original parts.

Warning: as this involves heating a liquid, operation of the melting tank should only be done by qualified personnel.

The device complies with EU directives 73/23 EEC and 89/336 EEC, all technical changes reserved.



Electric scheme



Always read the manual before using the device